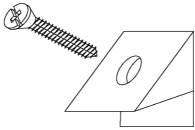
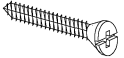
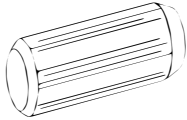

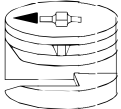
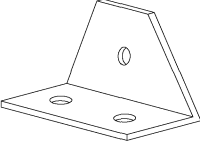
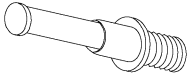
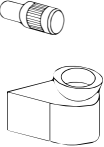
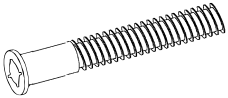


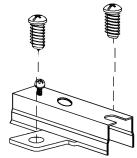
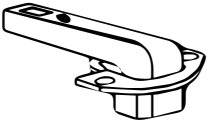
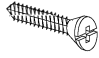

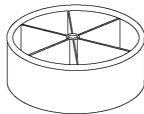


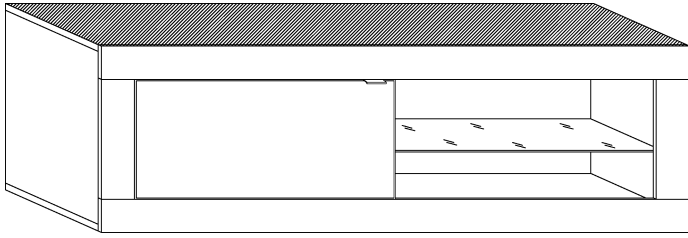
		209015-01CF	
A		L3 x14	 4x18 mm. x36
B	 8x30 mm.	L x20	 4.5x30 mm. x5
C	 ∅15 mm.	P7 x10	 x12
D		R1 x10	 x4
E	 7x60 mm.	P x2	 x2

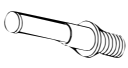
		201502-01CC	
L2	 4x16 mm.	x4	
N1		x2	
O1		x2	

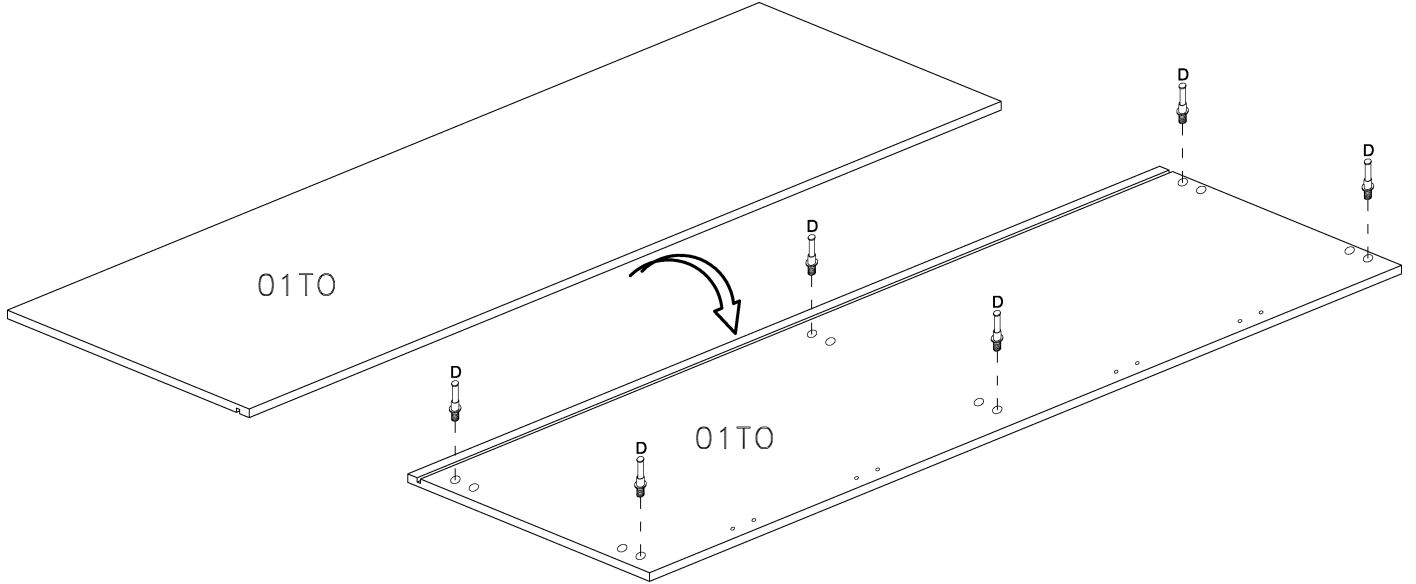
		509080-81CM	
M2	 3,5x16 mm.	x2	
S11		x1	

		205124-06PIE	
F21	 ∅ 60 mm h 20 mm	x5	

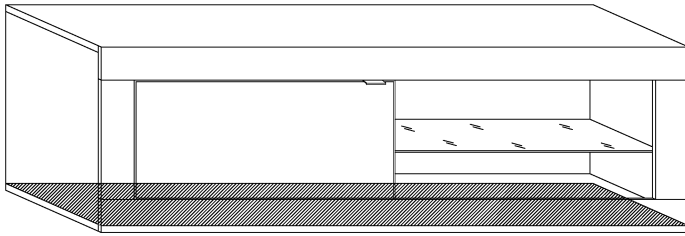
1

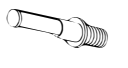

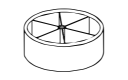


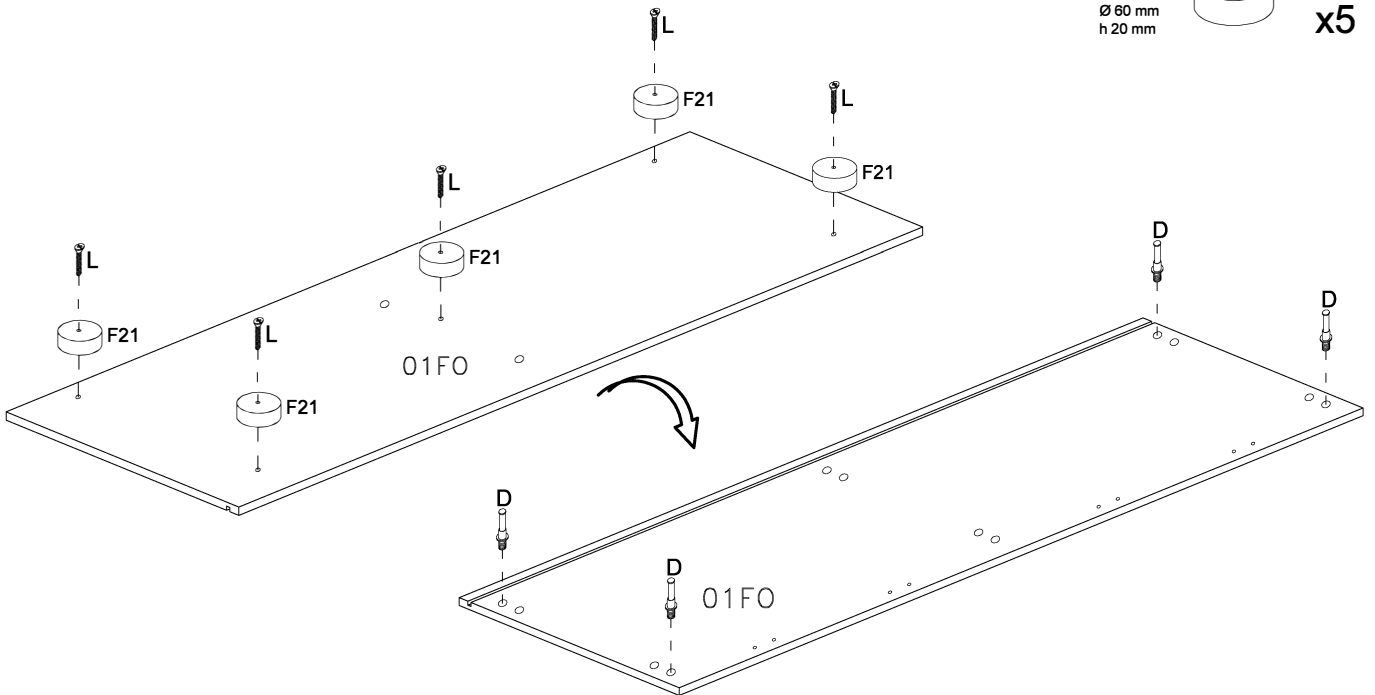
D  x6



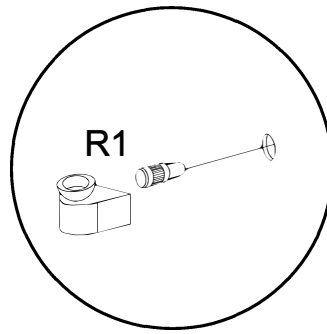
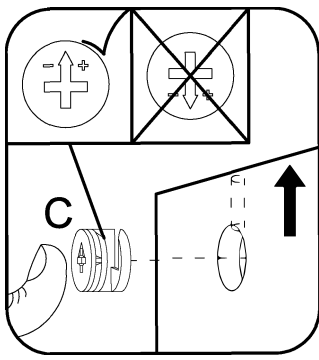
2

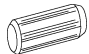
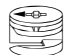



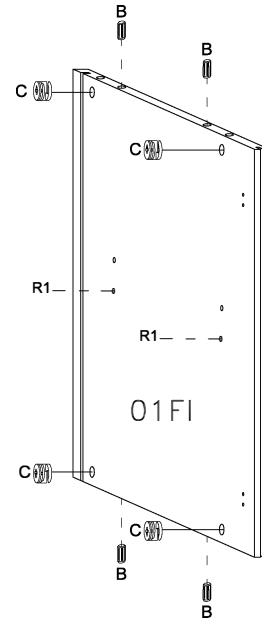
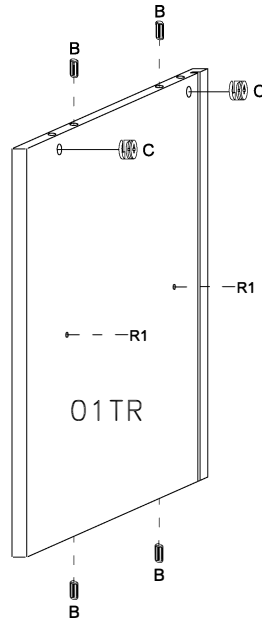
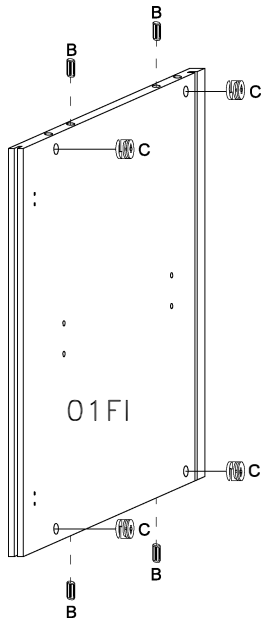
D  x4
 L  4.5x30 mm. x5
 F21  x5
 Ø 60 mm
 h 20 mm



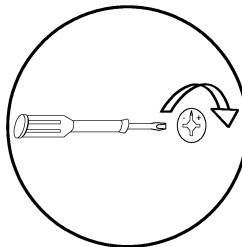
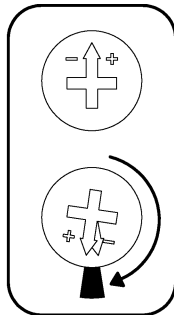
3



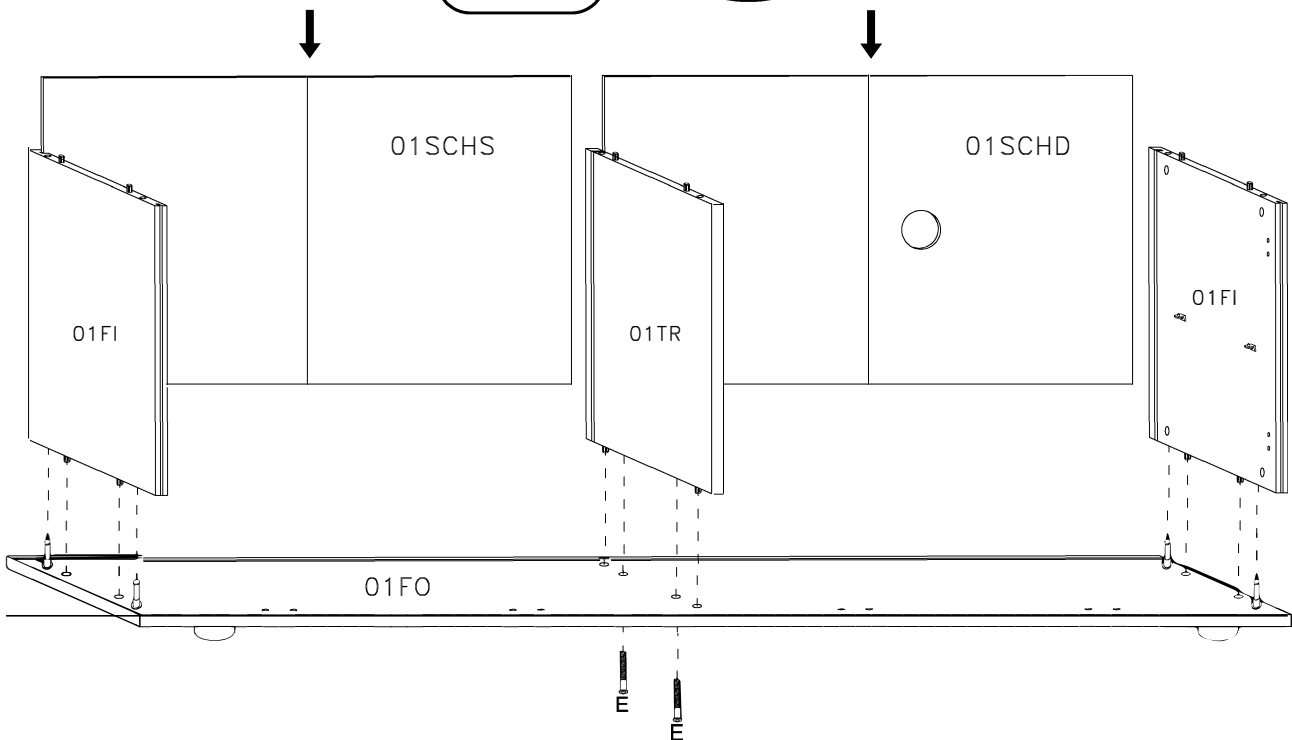
- B**  8x30 mm. x12
- C**  ∅15 mm. x10
- R1**  x4



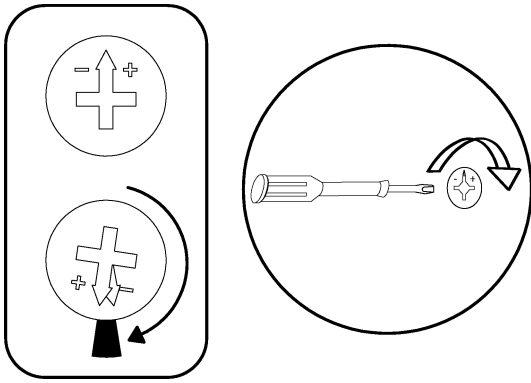
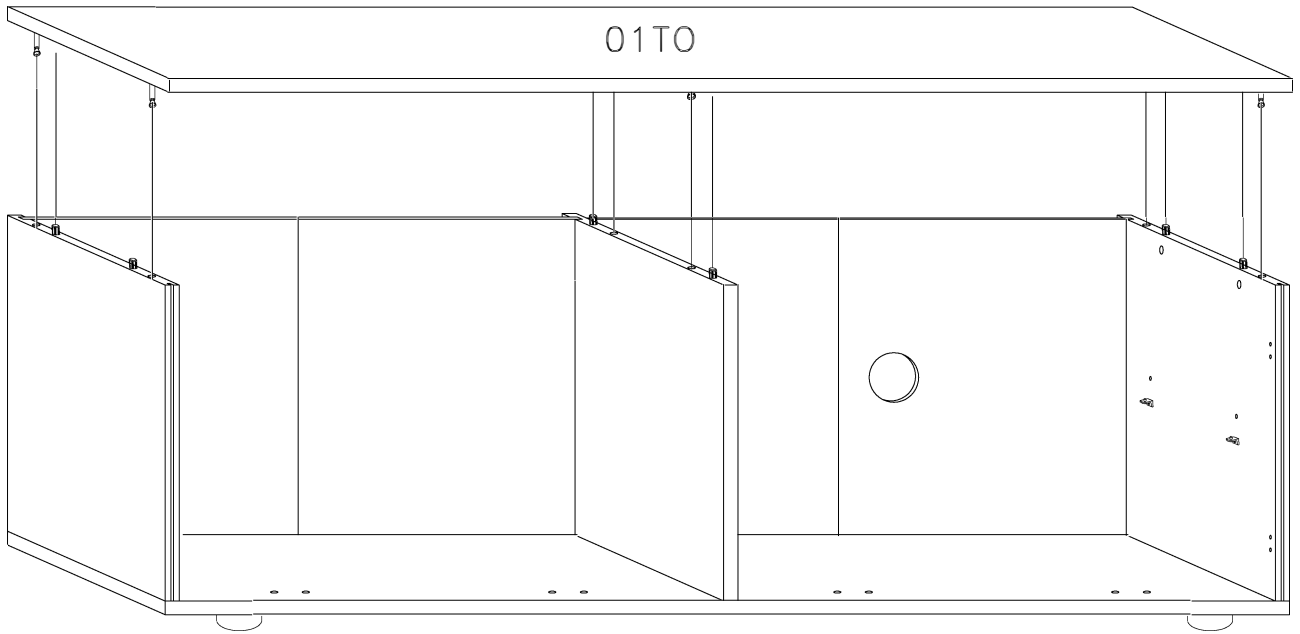
4



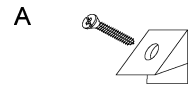
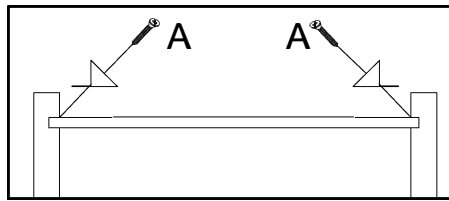
- E**  7x60 mm. x2



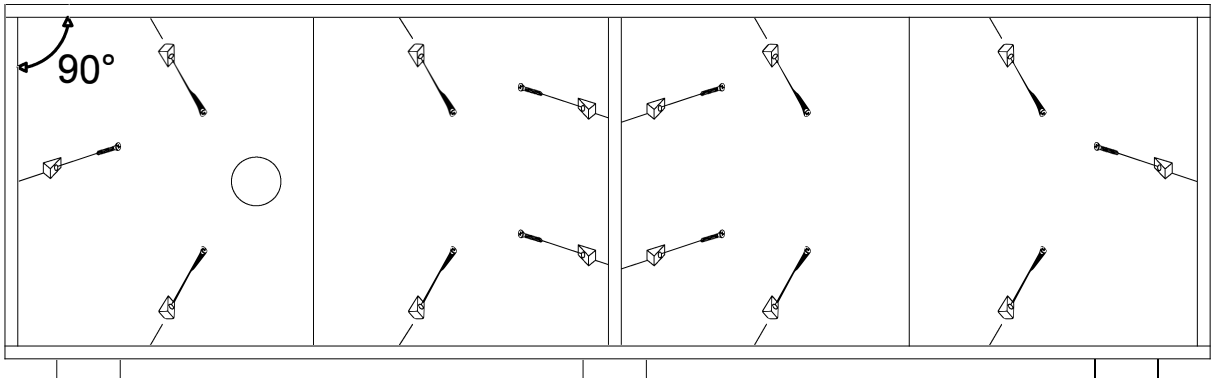
5



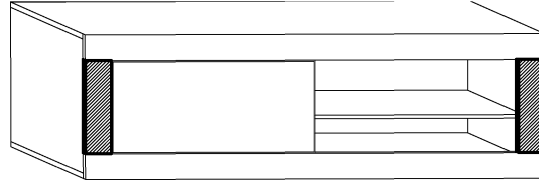
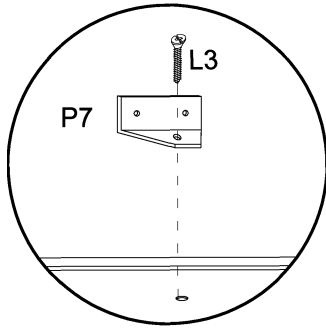
6

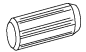





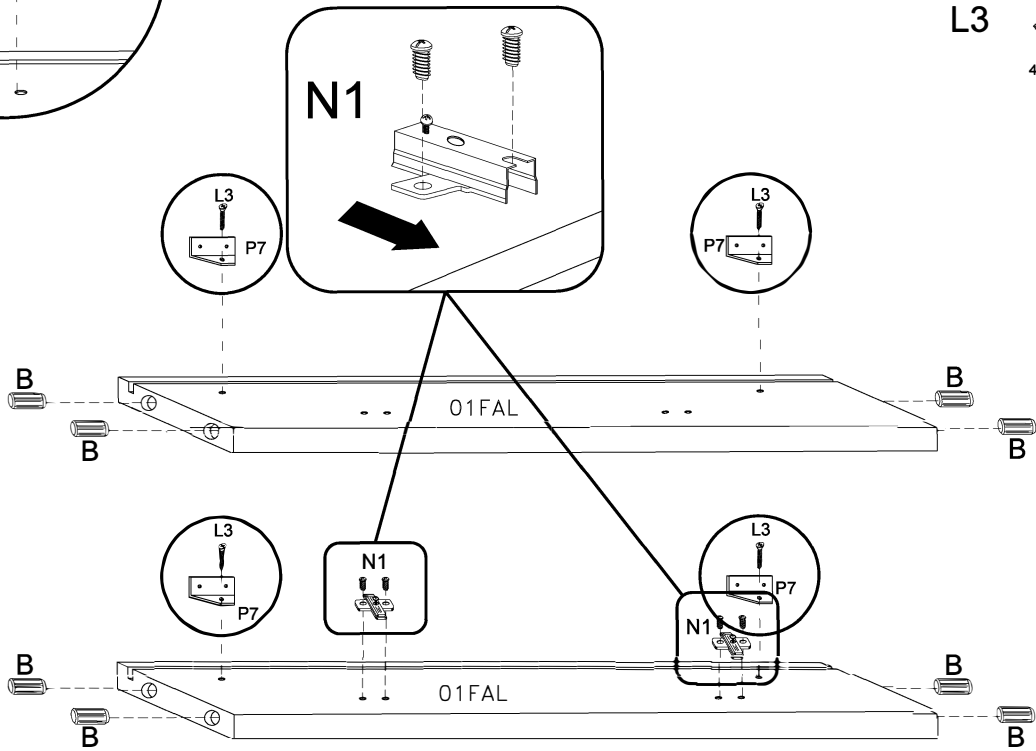
x14



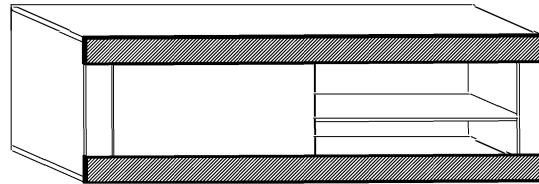
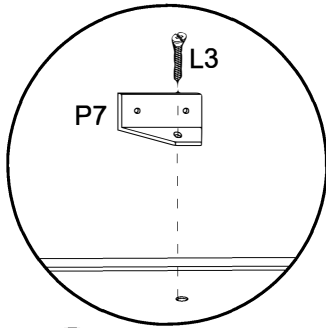
7





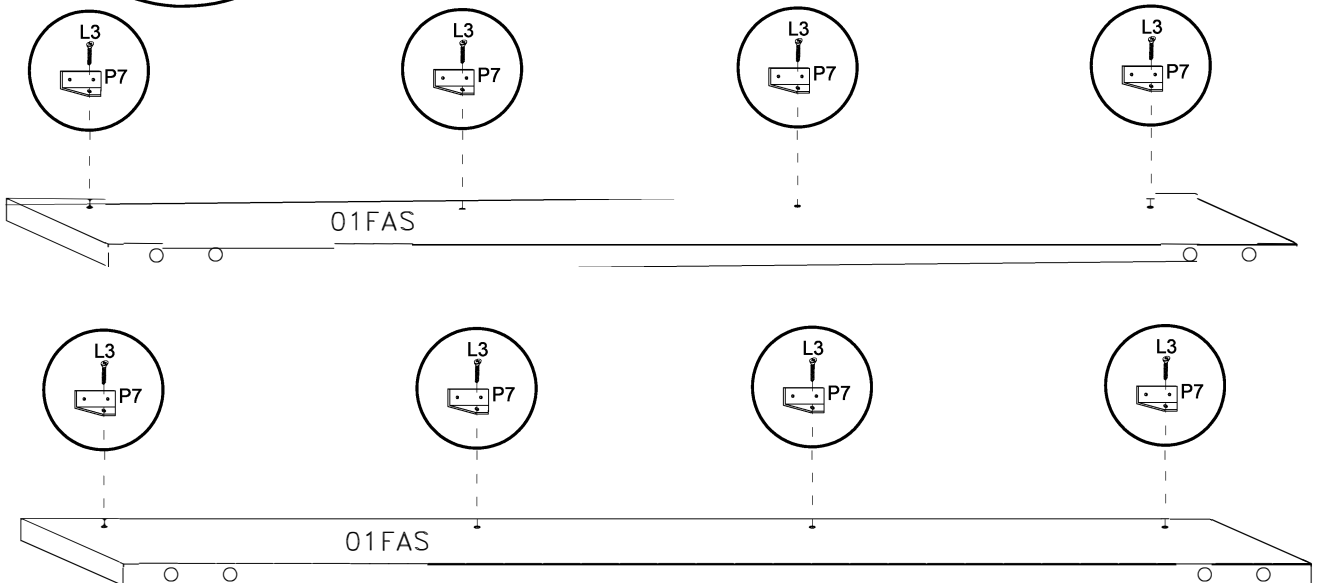
- B**  8x30 mm. **x8**
- N1**  **x2**
- P7**  **x4**
- L3**  4x18 mm. **x4**



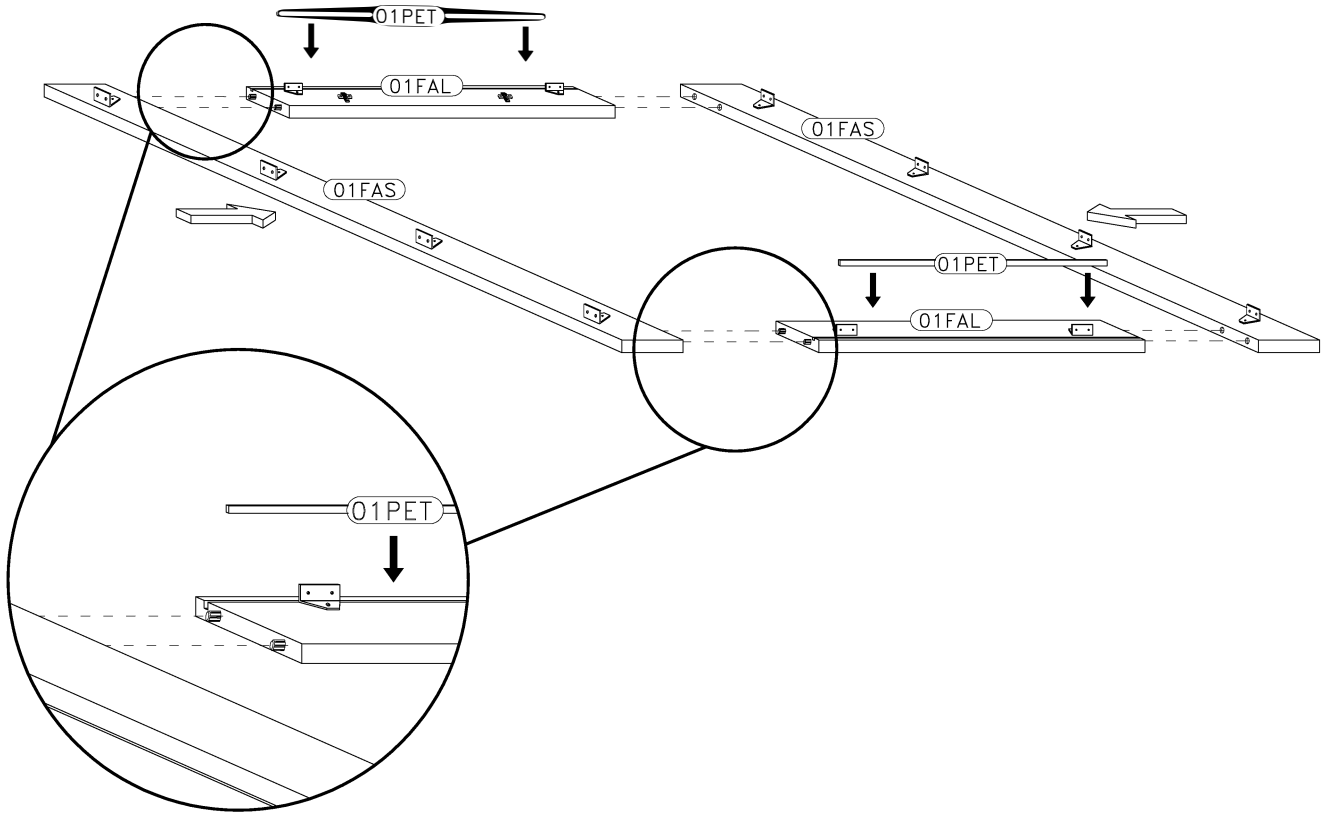
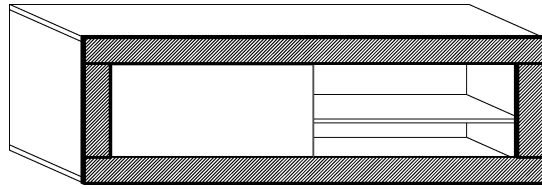
8



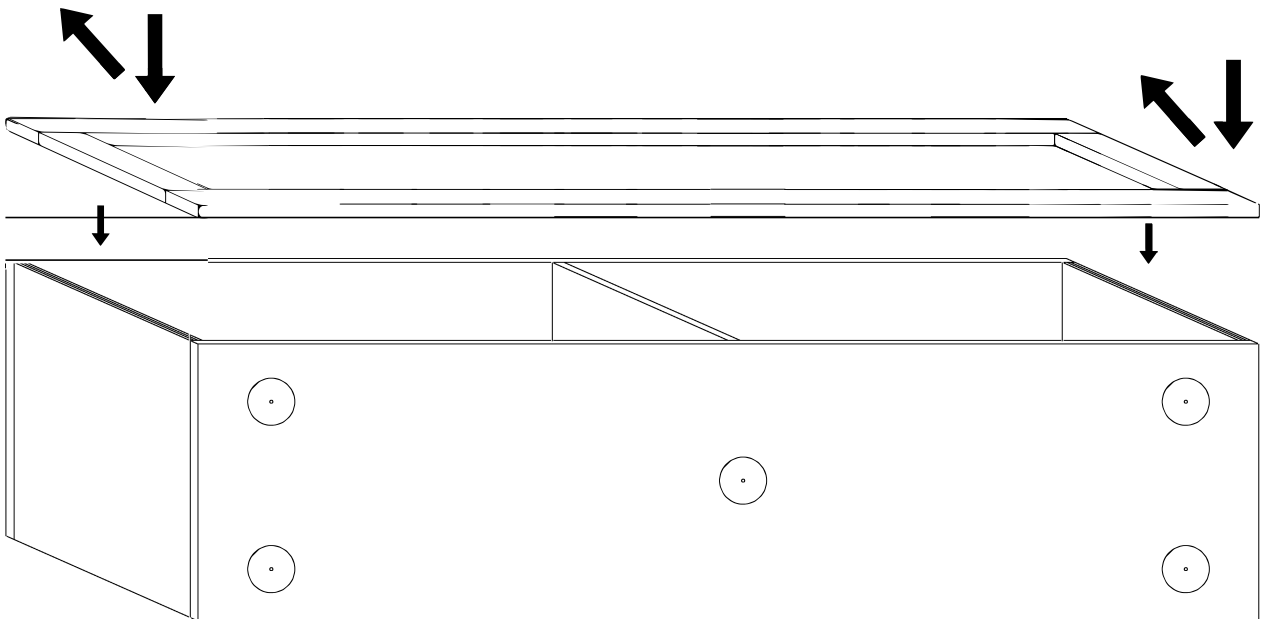
- P7**  **x8**
- L3**  4x18 mm. **x8**



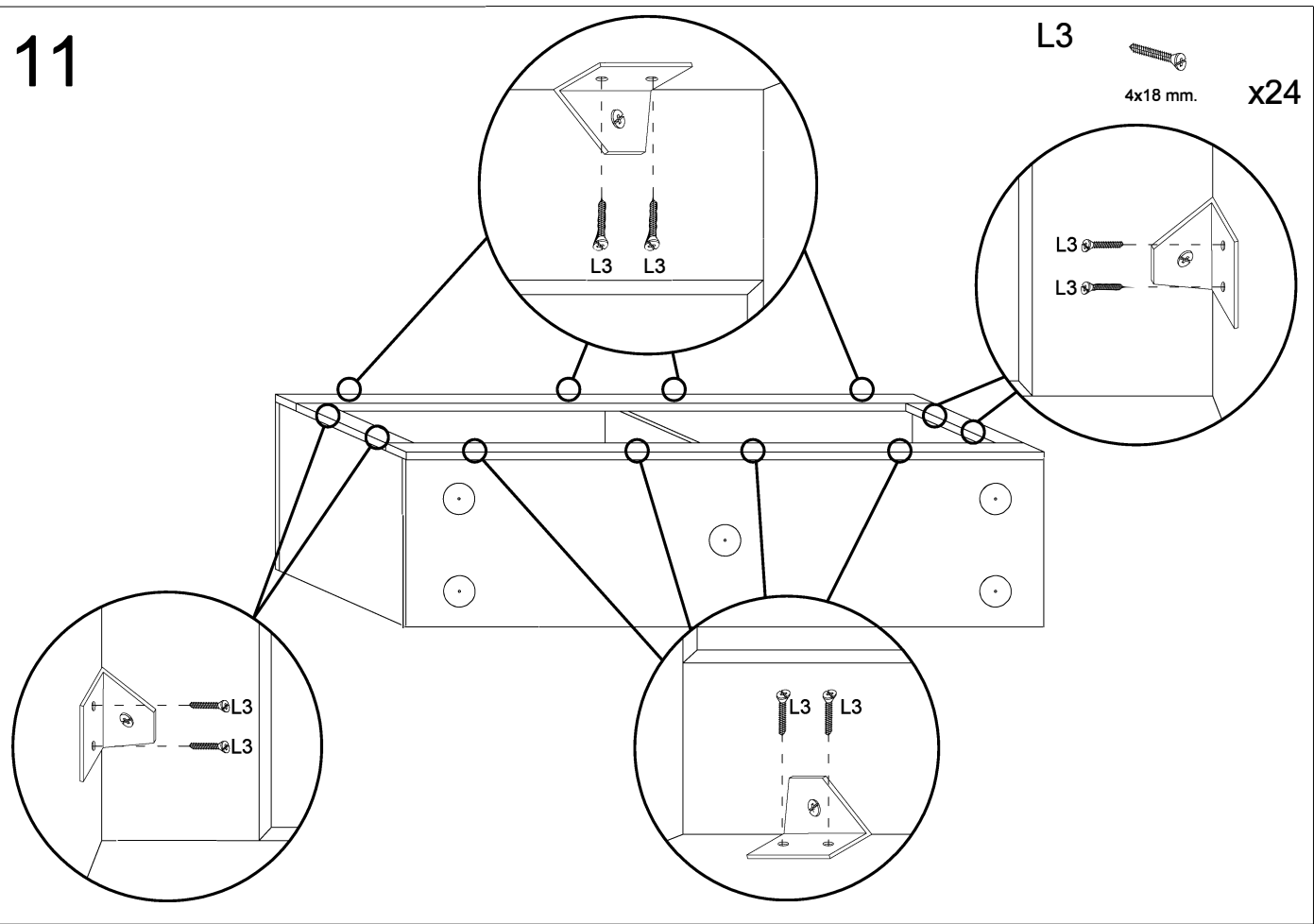
9



10



11

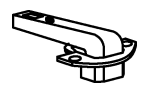


12

L2

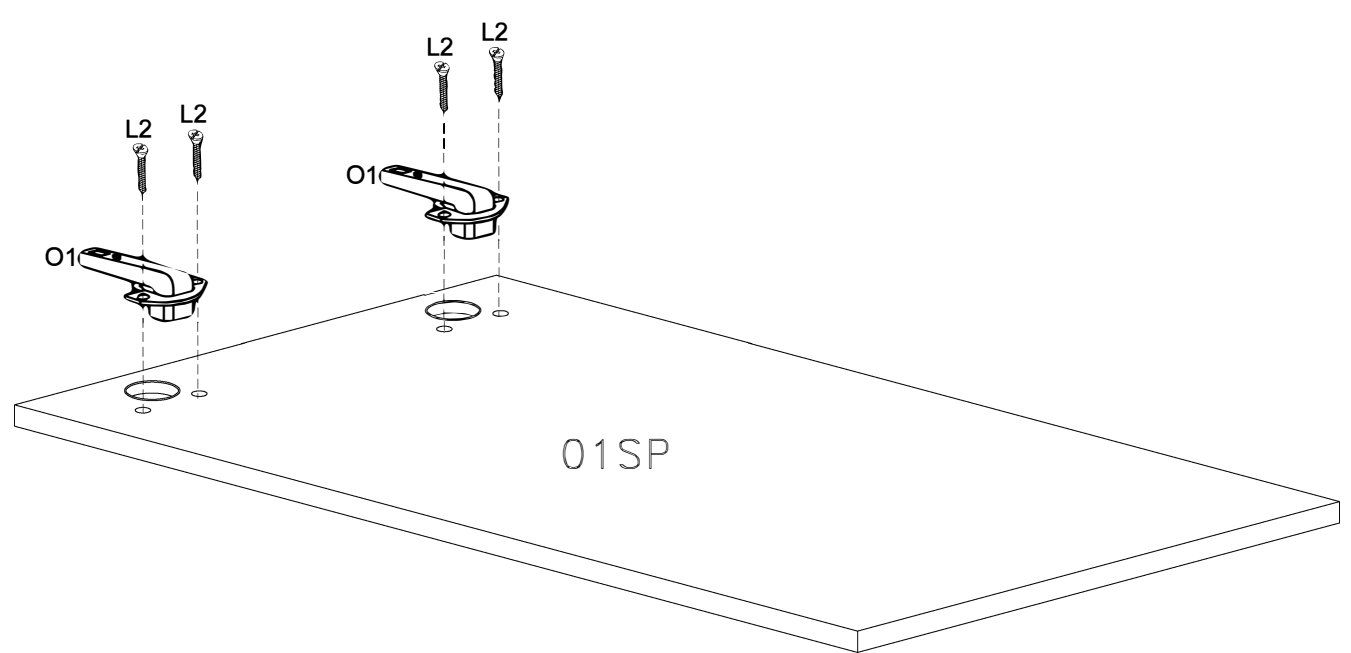


O1

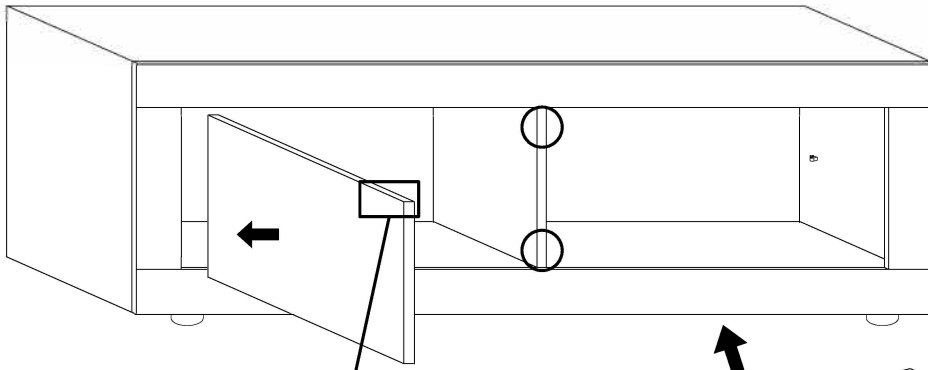





x4

x2



13



- P  x2
- M2  3,5x16 mm. x2
- S11  x1

